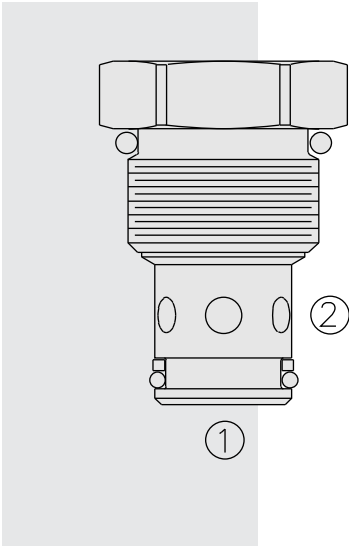


CV10-24 Check Valve



DESCRIPTION

A screw-in, cartridge-style, hydraulic check valve for use as a blocking or load-holding device.

OPERATION

The CV10-24 allows flow passage from 2 to 1, while blocking flow from 1 to 2. The cartridge has a fully guided check which is spring-biased closed until sufficient pressure is applied at 2 to open to 1.

FEATURES

- Low check mass for anti-cavitation applications.
- Hardened seat for long life and low leakage.
- Optional bias springs for back-pressure application flexibility.
- Industry common cavity.

RATINGS

Operating Pressure: 240 bar (3500 psi)

Flow: See Performance Chart

Internal Leakage: 0.25 ml/minute (5 drops/minute) max. at 241 bar (3500 psi)

Crack Pressure Defined: Gauge psi evident at 2 at 16.4 cc/minute (1 cu. in./minute) attained at 1

Standard Bias Springs at Crack: 0.35 bar (5 psi); 1.7 bar (25 psi); 3.8 bar(55 psi)

Temperature: -40° to 120°C (-40°F to 250°F with Buna N seals; -35°C to 204°C (-31°F to 400°F) with Viton seals

Filtration: See page 9.010.1

Fluids: Mineral-based or synthetics with lubricating properties at viscosities of 7.4 to 420 cSt (50 to 2000 sus); See Temperature and Oil Viscosity, page 9.060.1

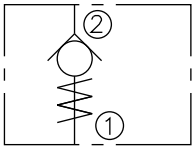
Installation: No restrictions; See page 9.020.1

Cavity: VC10-2; See page 9.110.1

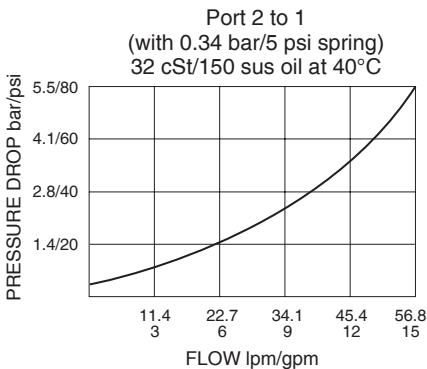
Cavity Tool: CT10-2XX; See page 8.600.1

Seal Kits: SK10-2X-B; See page 8.650.1

ISO SYMBOL

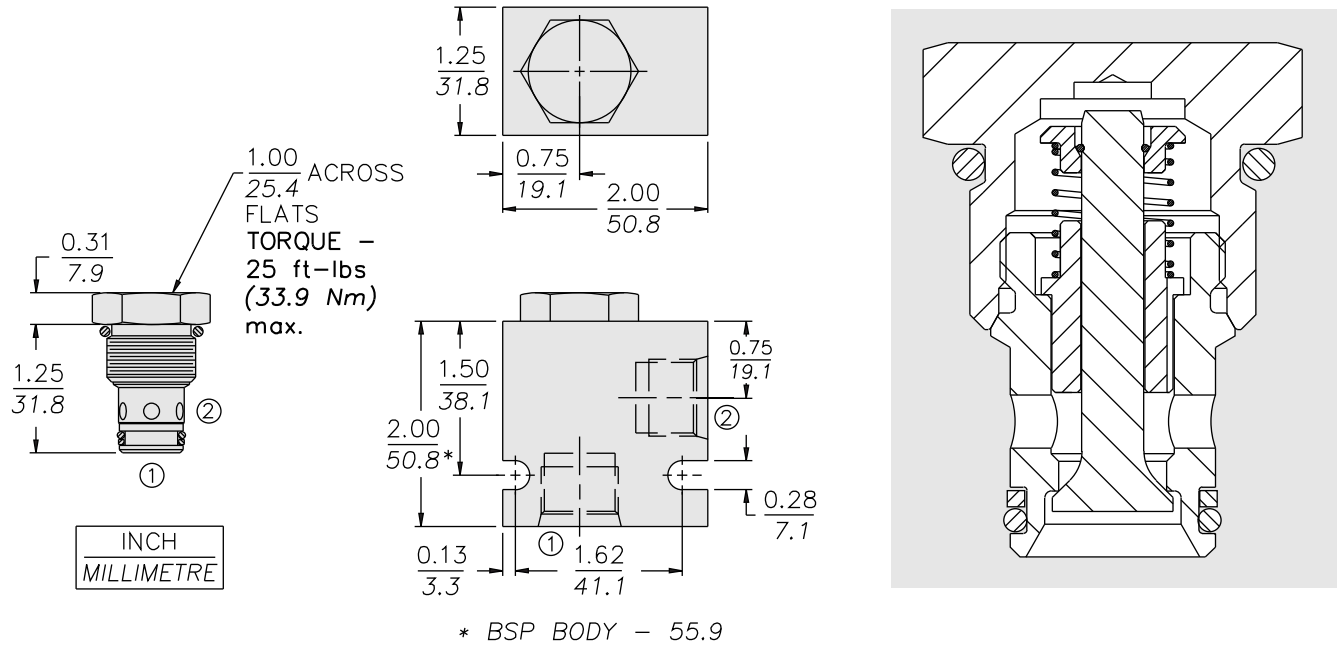


PERFORMANCE (Cartridge Only)



CV10-24

DIMENSIONS



MATERIALS

Cartridge: Weight: 0.9 kg. (0.20 lbs.)
Steel with hardened work surfaces.
Zinc-plated exposed surfaces.
Buna N O-rings and polyester
elastomer back-ups standard.

Standard Ported Body: Weight:
0.16 kg. (0.35 lbs.); Anodized high-
strength 6061 T6 aluminum alloy,
rated to 240 bar (3500 psi). Ductile
iron bodies available; dimensions
may differ. See page 8.010.1

TO ORDER

CV10-24 - - -		
	Porting	Bias Spring
Cartridge Only	0	05 0.34 bar (5 psi)
SAE 6	6T	25 1.7 bar (25 psi)
SAE 8	8T	55 3.8 bar (55 psi)
1/4 in. BSP*	2B	
3/8 in. BSP*	3B	
1/2 in. BSP*	4B	
	*BSP Body; U.K. Mfr. Only	
	Seals	
	N Buna N (Std.)	
	V Viton	